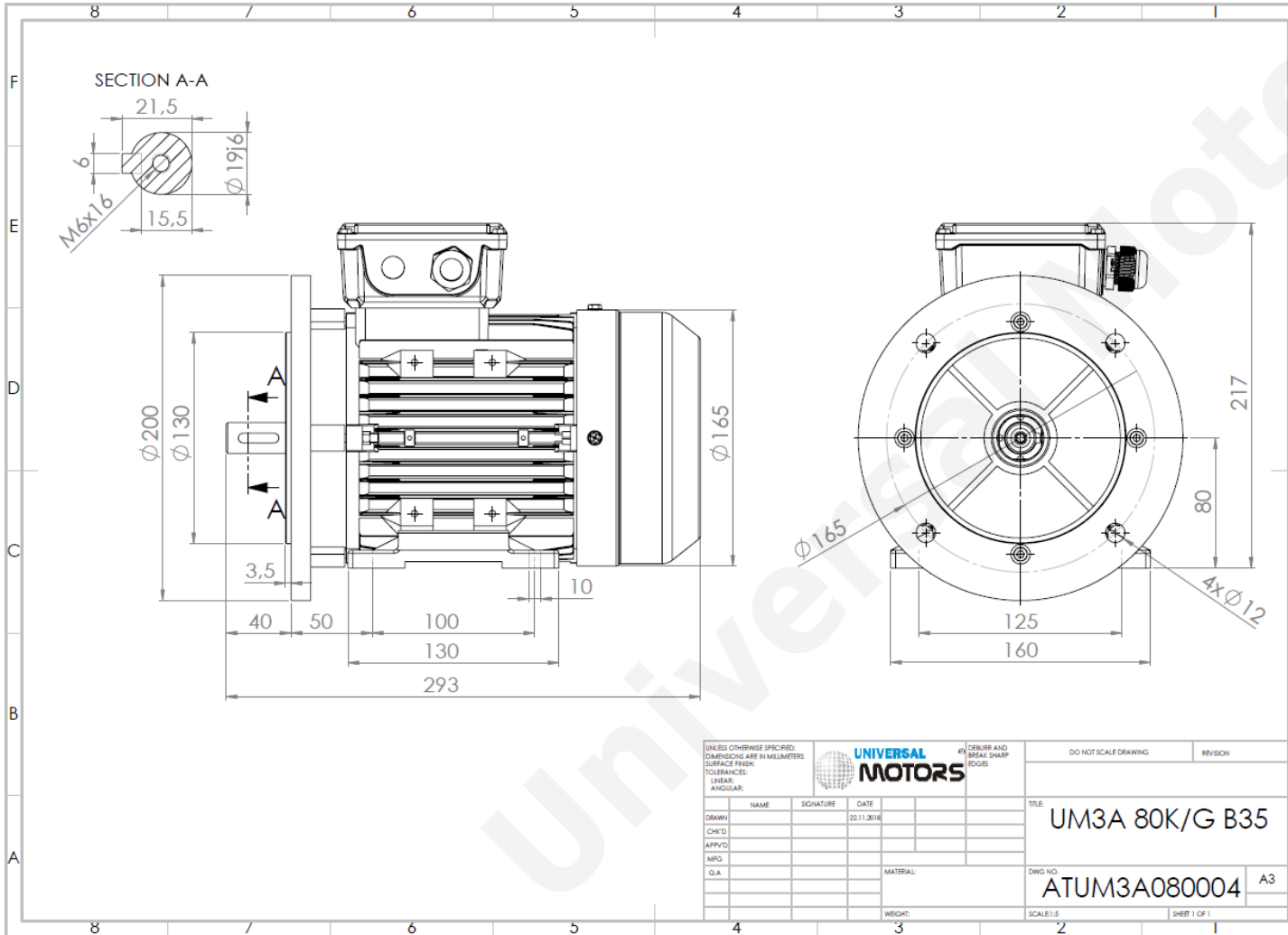




TECHNICAL DATA

Three Phase Electric Motors - Aluminum Frame
 PE31 80M2-4
 0.75 kW / 1 Cv
 1410 RPM



Motor type:	PE31 80M2-4
Output:	0.75 kW / 1 Cv
Speed (min^{-1}):	1410 RPM
Frequency:	50 Hz
Voltage:	400 V
Current:	1.78 A
Power factor ($\text{Cos } \phi$):	0.75
Poles:	4
Insulation class:	F
Temperature rise Class:	B
Efficiency 50%:	80.4 %
Efficiency 75%:	81.3 %
Efficiency 100%:	82.5 %
Torque:	5.1 N.m
Tstarting/Tnominal:	2.3
Istarting/Inominal:	6.5
Tmaximum/Tnominal:	2.3
Noise:	71 Db(A)
Weight:	12 Kg
Bearing DE:	6204 2Z C3
Bearing NDE:	6204 2Z C3

UNLESS OTHERWISE SPECIFIED: DIMENSIONS ARE IN MILLIMETERS SURFACE FINISH: TOLERANCES: LINEAR: ANGULAR:			UNIVERSAL MOTORS		#1 DEBURR AND BREAK SHARP EDGES		DO NOT SCALE DRAWING		REVISION	
NAME	SIGNATURE	DATE	TITLE:		DRAWN		DWG NO.:		SHEET 1 OF 1	
20.11.2018			UM3A 80K/G B35				ATUM3A080004		A3	
			MATERIAL:		WEIGHT:		SCALE:1:5			

Regime - S1

Altitude - 1000m

Environment Temperature - 40°C

CONTACTS:

UNIVERSAL MOTORS Tel: +351 252 299 080
 Rua de São Brás,745 Fax: +351 252 299 089
 4480-782 VILA DO CONDE Mail: geral@universalmotors.pt

* References applied only in the UK